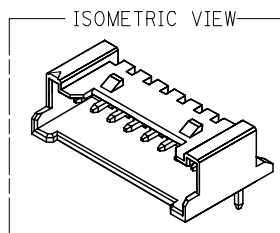
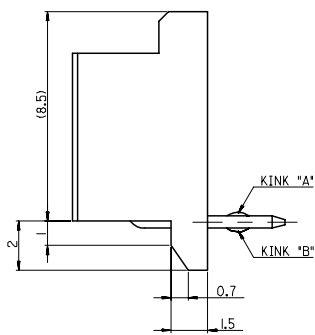
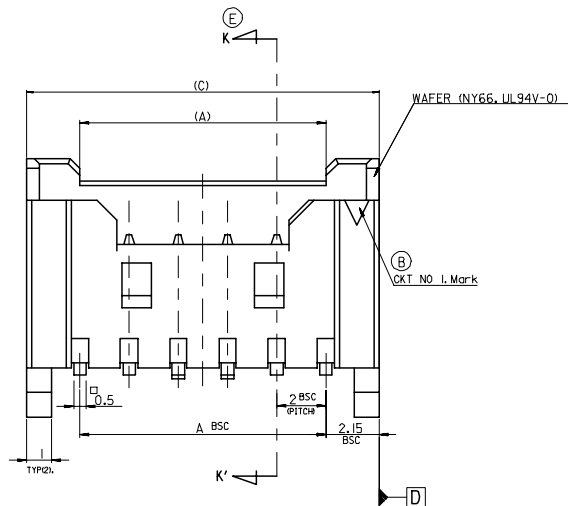


Ⓒ LEGEND

SD-35363-*** * COLOR

- 0 : NATURAL
- 1 : BLACK
- 2 : RED
- 3 : YELLOW
- 4 : BLUE
- 5 : GREEN



32.3	31.3	28	-15 *	15
30.3	29.3	26	-14 *	14
28.3	27.3	24	-13 *	13
26.3	25.3	22	-12 *	12
24.3	23.3	20	-11 *	11
22.3	21.3	18	-10 *	10
20.3	19.3	16	-09 *	9
18.3	17.3	14	-08 *	8
16.3	15.3	12	-07 *	7
14.3	13.3	10	-06 *	6
12.3	12.3	8	-05 *	5
10.3	9.3	6	35363-04 *	4
(C)	(B)	A	ENG. NO.	CKT

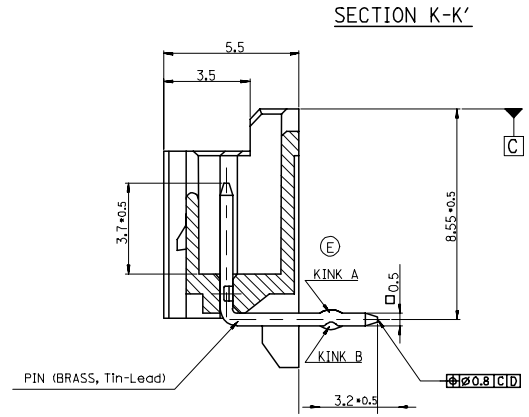
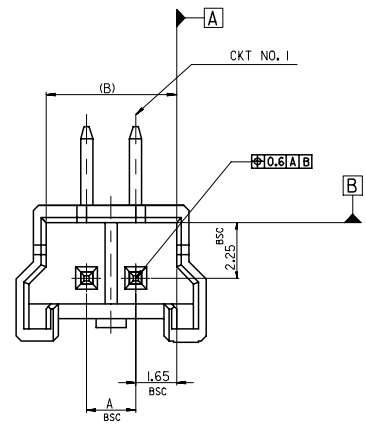
NOTES

- Ⓐ 1. MATERIAL : UNFILLED POLYAMIDE, UL94V-0
- 2. MATING HOUSING : 35007-***0*
- MATING TERMINAL : 50212-8000
- Ⓐ CHAMBER : 0.3 MAX.
- 4. KINK

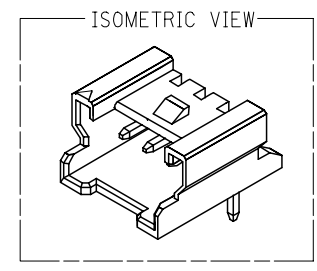
CKT NO	1	2	3	4	5	N-2	N-1	N
6 CKT OVER	-	A	B	-	-	B	A	-
5 CKT	A	B	-	B	A			
4 CKT	A	B	B	A				

5. PRODUCT SPECIFICATION NO : PS-35507-001

REVISED EC NO: KOR2007-0144 DRWN:HJEONG 2007/05/11 CHKD:YSOOKIM 2007/05/22 APPR:YUNSIKKIM 2007/05/30	QUALITY SYMBOLS	GENERAL TOLERANCES (UNLESS SPECIFIED)	DIMENSION STYLE	SCALE	DESIGN UNITS	THIRD ANGLE PROJECTION
	▼=0 △=0	mm INCH 4 PLACES ± --- ± --- 3 PLACES ± --- ± --- 2 PLACES ± --- ± --- 1 PLACE ±0.15 ± --- ANGULAR ± 1 °	MM ONLY	5:1	METRIC	
	DESCRIPTION	DRAWN BY	DATE	TITLE	2.0 W/B CONN WAFER ASSY (R/A)	
	T DRWN:HJEONG 2007/05/11 CHKD:YSOOKIM 2007/05/22 APPR:YUNSIKKIM 2007/05/30	YSOOKIM	1996/09/11	ENTER PART	MOLEX INCORPORATED	
REV	MATERIAL NO.	DATE	DOCUMENT NO.	SHEET NO.		
	CWLEE	1996/09/11	SD-35363-001	1 OF 3		
	DRAFT WHERE APPLICABLE MUST REMAIN WITHIN DIMENSIONS		THIS DRAWING CONTAINS INFORMATION THAT IS PROPRIETARY TO MOLEX INCORPORATED AND SHOULD NOT BE USED WITHOUT WRITTEN PERMISSION			



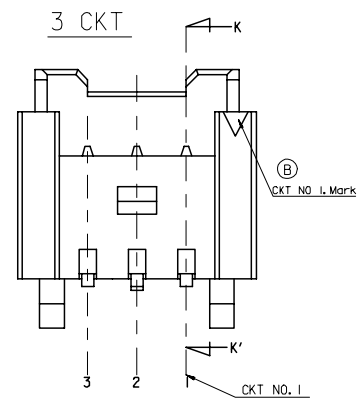
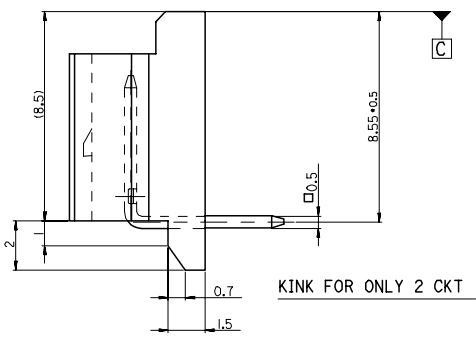
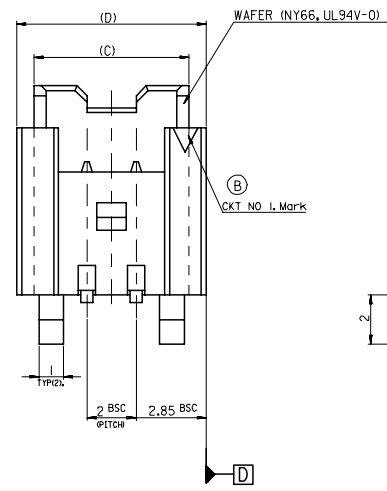
FOR 2 & 3 CKTS.



LEGEND

SD-35363-***|*
 CKT NO. _____ COLOR _____

- 0 : NATURAL
- 1 : BLACK
- 2 : RED
- 3 : YELLOW
- 4 : BLUE
- 5 : GREEN

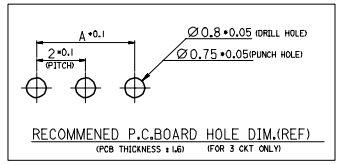


- NOTES
- ① MATERIAL : UNFILLED POLYAMIDE, UL94V-0
 - 2. MATING HOUSING : 35007-***0*
 - MATING TERMINAL : 50212-8000
 - ③ CHAMBER : 0.3 MAX.
 - 4. KINK

CKT \ CKT NO.	1	2	3
2 CKT	NONE	KINK	
3 CKT	A	B	A

5. PRODUCT SPECIFICATION NO : PS-35507-001

9.7	8.3	7.3	4	-031*	3
7.7	6.3	5.3	2	35363-021*	2
(D)	(C)	(B)	A	ENG. NO.	CKT



30 over	±0.3
10 over 30 under	±0.25
10 under	±0.2
ANGLE	±3°
GENERAL TOLERANCE	

REVISED
 EC NO: KOP2007-0144
 DRWN:HJEONG 2007/05/11
 CHKD:YSOOKIM 2007/05/22
 APPR:YUNSIKKIM 2007/05/30

QUALITY SYMBOLS
 ▽=0
 ▽=0

GENERAL TOLERANCES (UNLESS SPECIFIED)

	mm	INCH
4 PLACES	±---	±---
3 PLACES	±---	±---
2 PLACES	±---	±---
1 PLACE	±0.15	±---
ANGULAR ± 1°		

DRAFT WHERE APPLICABLE
 MUST REMAIN WITHIN DIMENSIONS

DIMENSION STYLE
 MM ONLY

DRAWN BY
 YSOOKIM

CHECKED BY
 JKOH

APPROVED BY
 CWLEE

MATERIAL NO.

SCALE
 5:1

DESIGN UNITS
 METRIC

THIRD ANGLE PROJECTION

2.0 W/B CONN
 WAFER ASSY
 (R/A)

MOLEX INCORPORATED

ENTER PART
 SD-35363-001

DOCUMENT NO.
 SD-35363-001

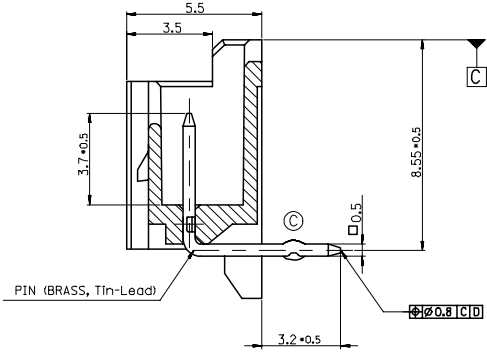
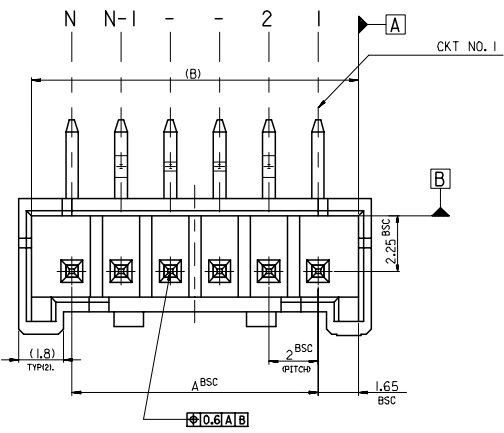
SHEET NO.
 2 OF 3

THIS DRAWING CONTAINS INFORMATION THAT IS PROPRIETARY TO MOLEX INCORPORATED AND SHOULD NOT BE USED WITHOUT WRITTEN PERMISSION

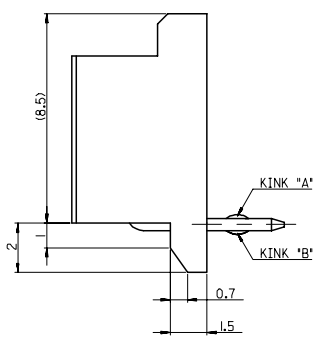
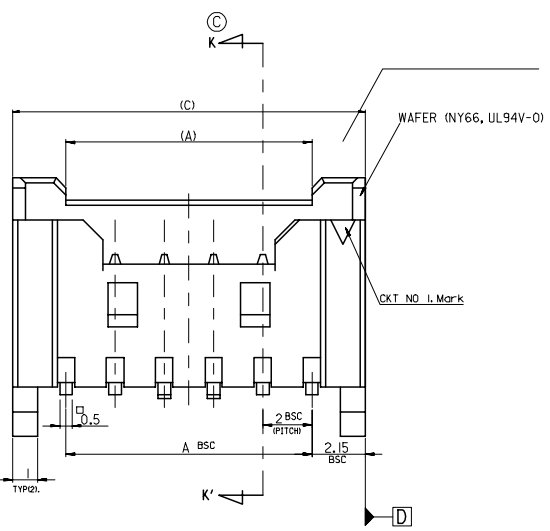
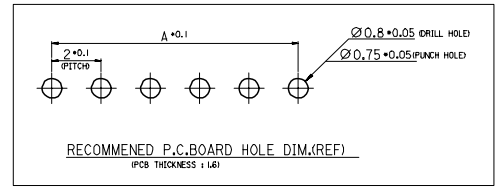
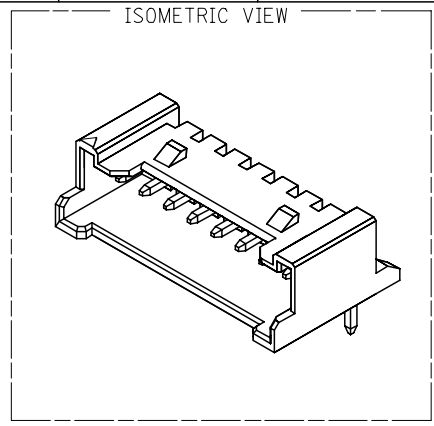
10 9 8 7 6 5 4 3 2 1

F
E
D
C
B
A

F
E
D
C
B
A



SECTION K-K'



LEGEND

SD-35363-**-** | * COLOR

- 0 : NATURAL
- 1 : BLACK
- 2 : RED
- 3 : YELLOW
- 4 : BLUE
- 5 : GREEN

42.3	41.3	38	35363-201*	20
(C)	(B)	A	ENG. NO.	CKT

- NOTES
- ① MATERIAL : UNFILLED POLYAMIDE, UL94V-0
 - 2. MATING HOUSING : 35007-**-0*
 - MATING TERMINAL : 50212-8000
 - 3. KINK

CKT NO	1	2	3	4	N-3	N-2	N-1	N
20	-	A	B	-	-	B	A	-

4. PRODUCT SPECIFICATION NO : PS-35507-001

30 over	±0.3
10 over 30 under	±0.25
10 under	±0.2
ANGLE	±3°
GENERAL TOLERANCE	

REVISED
EC NO: KOR2007-0144
DRWN:HJEONG 2007/05/11
CHKD:YSOOKIM 2007/05/22
APPR:YUNSIKKIM 2007/05/30

QUALITY SYMBOLS
▽=0
△=0

GENERAL TOLERANCES (UNLESS SPECIFIED)

	mm	INCH
4 PLACES	±---	±---
3 PLACES	±---	±---
2 PLACES	±---	±---
1 PLACE	±0.15	±---
ANGULAR ± 1°		

DRAFT WHERE APPLICABLE
MUST REMAIN WITHIN DIMENSIONS

DIMENSION STYLE
MM ONLY

DRAWN BY YSOOKIM DATE 1996/09/11
CHECKED BY JKOH DATE 1996/09/11
APPROVED BY CWLEE DATE 1996/09/11

MATERIAL NO. ENTER PART

SCALE 5:1
DESIGN UNITS METRIC
THIRD ANGLE PROJECTION

2.0 W/B CONN
WAFER ASSY
(R/A)

MOLEX INCORPORATED

DOCUMENT NO. SD-35363-001 SHEET NO. 3 OF 3

THIS DRAWING CONTAINS INFORMATION THAT IS PROPRIETARY TO MOLEX INCORPORATED AND SHOULD NOT BE USED WITHOUT WRITTEN PERMISSION

9 8 7 6 5 4 3 2 1